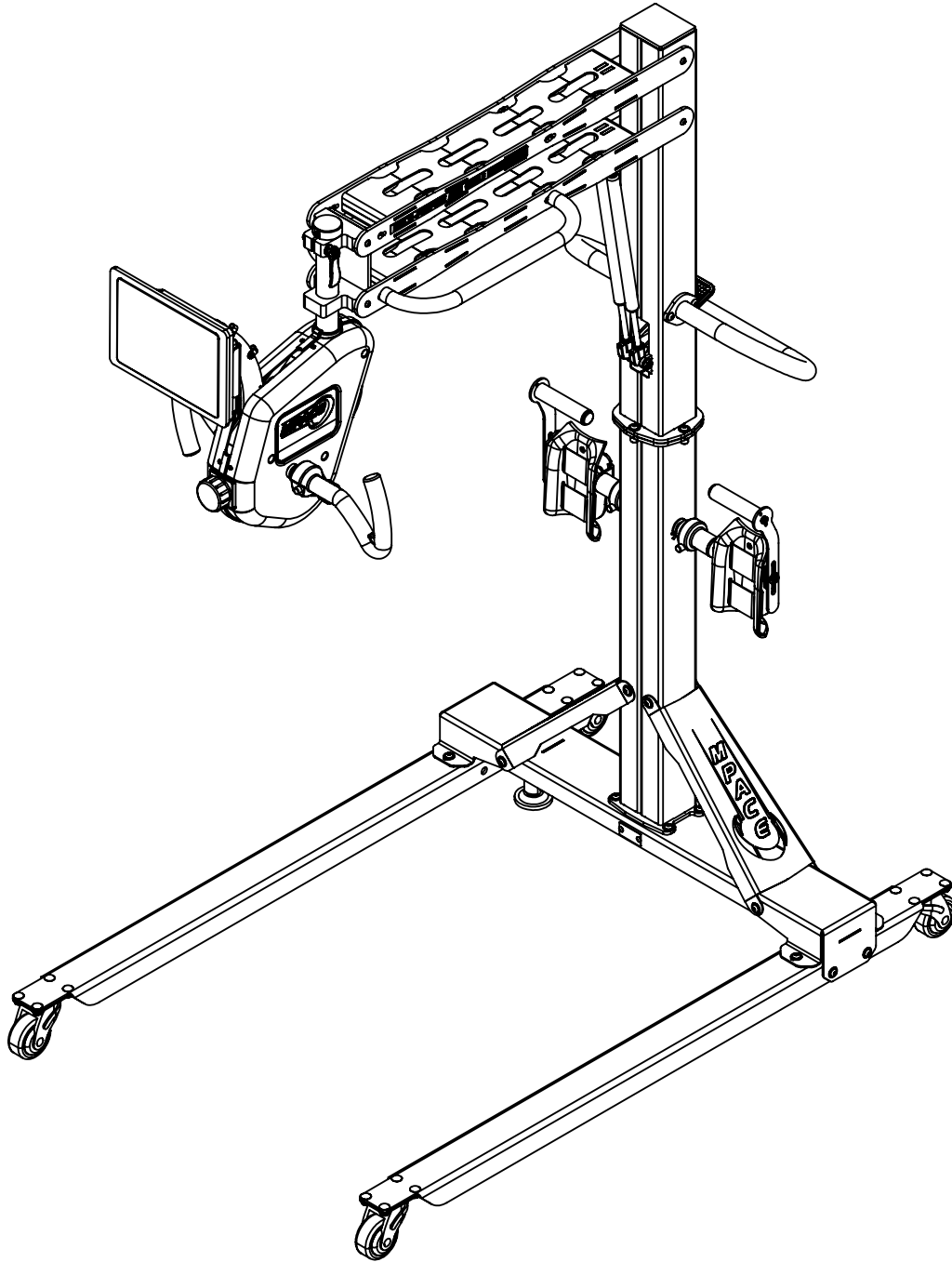
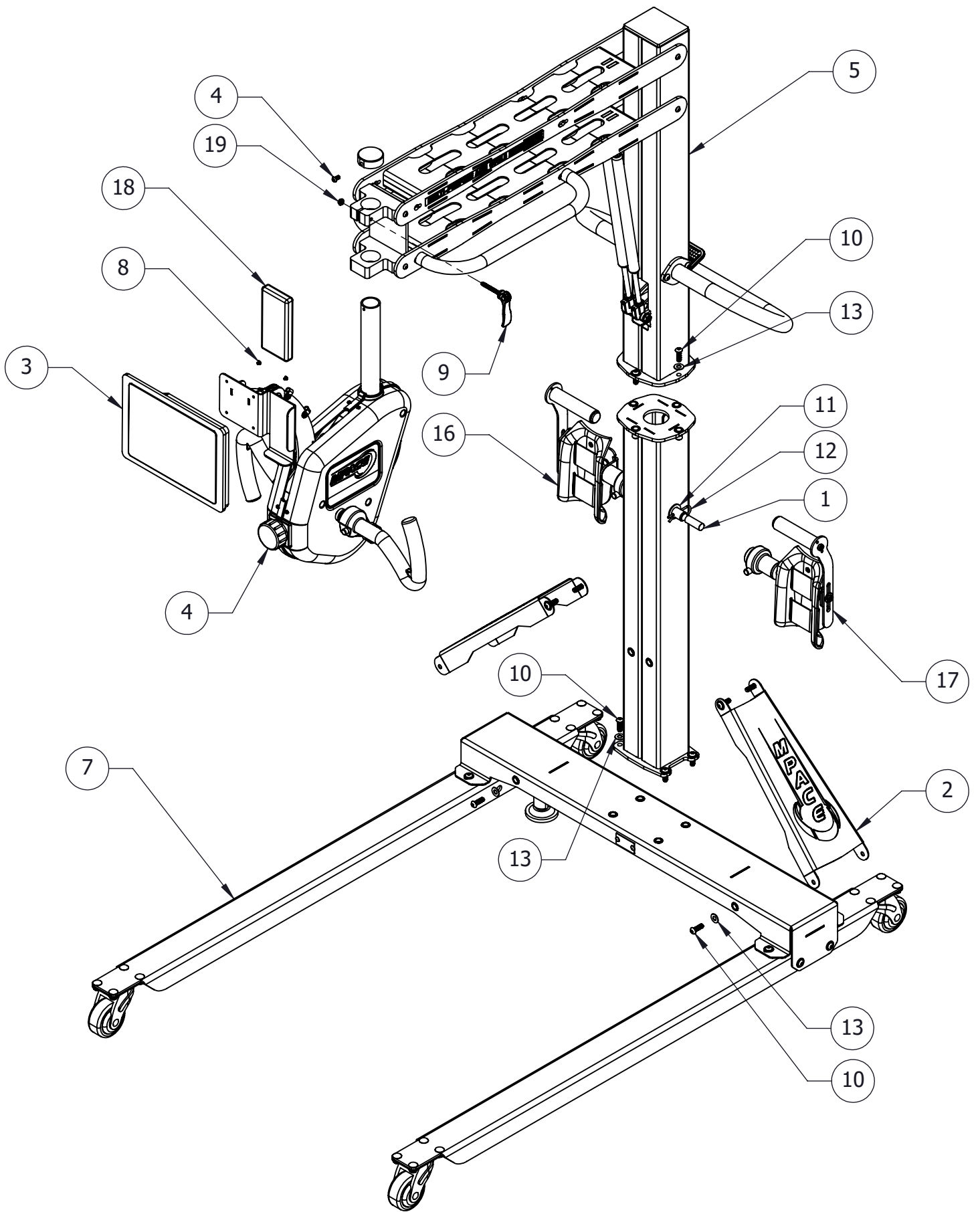


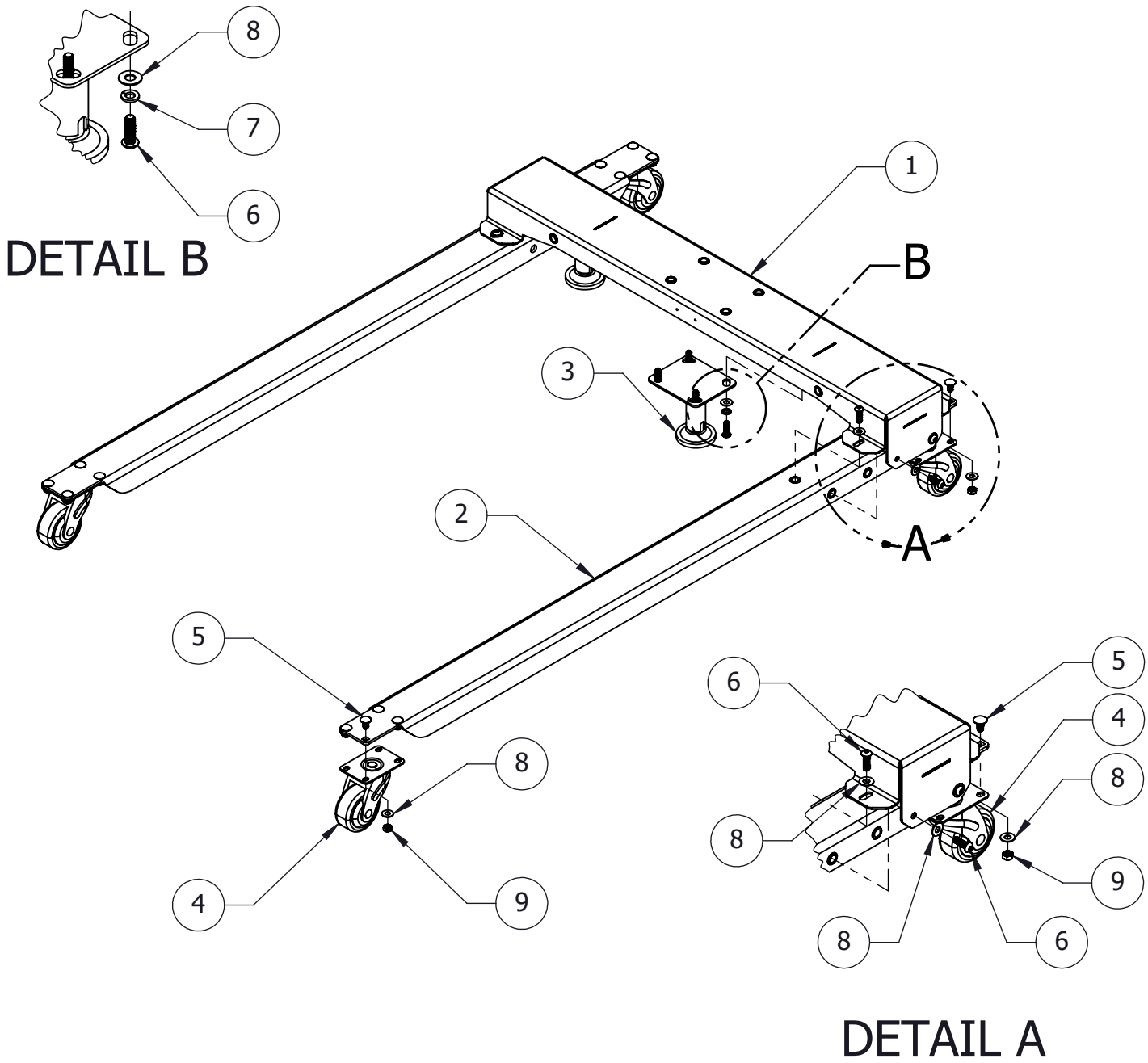


Parts List

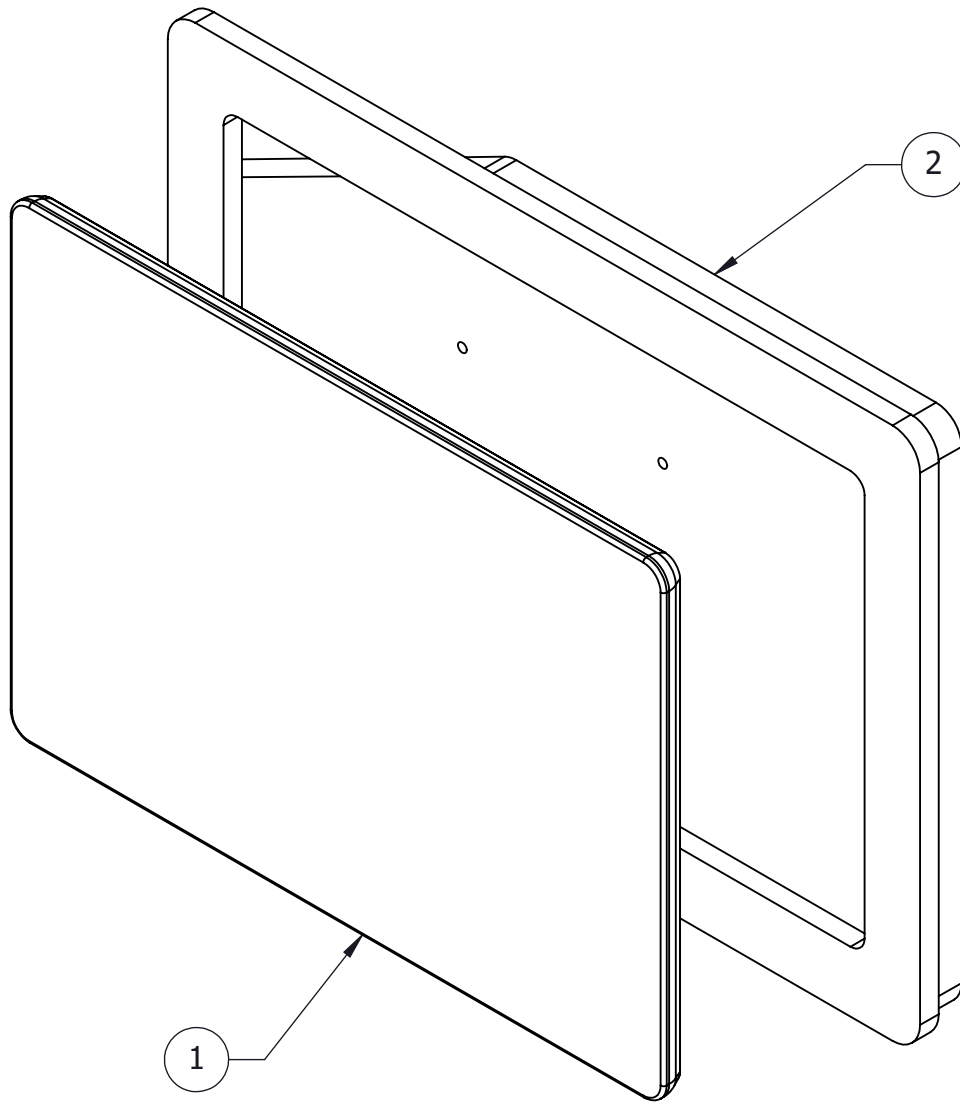


IT.	QTY.	P/NO	DESCRIPTION
1	1	92504	ROD-STORAGE, QUICK RELEASE
2	2	92407	PLATE-BRACE, GUSSET
3	1	92405	TABLET ASSEMBLY-DISPLAY
4	1	92404	DRIVE ASSEMBLY-MAIN POWER
5	1	92403	UPPER ASSEMBLY-TUBE, POWER UNIT
6	1	92402	TUBE ASSEMBLY-LOWER
7	1	92401	BASE ASSEMBLY-FRAME
8	4	87535	SCREW-TORX BTN SS, M4x0.7mm X 5mm
9	1	87514	HANDLE-CAM, 1/4-20 UNC
10	16	87494	SCREW-BTN HEX HD, 5/16-18 UNC X 1.00
11	2	87470	WASHER-FLAT NYLON, 1.250 OD X.765 ID
12	2	87469	PIN-COTTER SS, .125 X 2.50 X 625 DIA
13	16	87192	WASHER-FLAT SS, 5/16
16	1	92505	HARNESS-HANDLE, RH WRIST
17	1	92506	HARNESS-HANDLE, LH WRIST
18	1	87442	BATTERY-RECHARGABLE, M-PACE
19	1	87465	NUT-SS JAM NYLOCK, 1/4-20 UNC



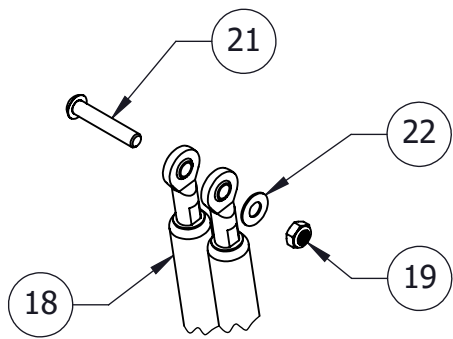
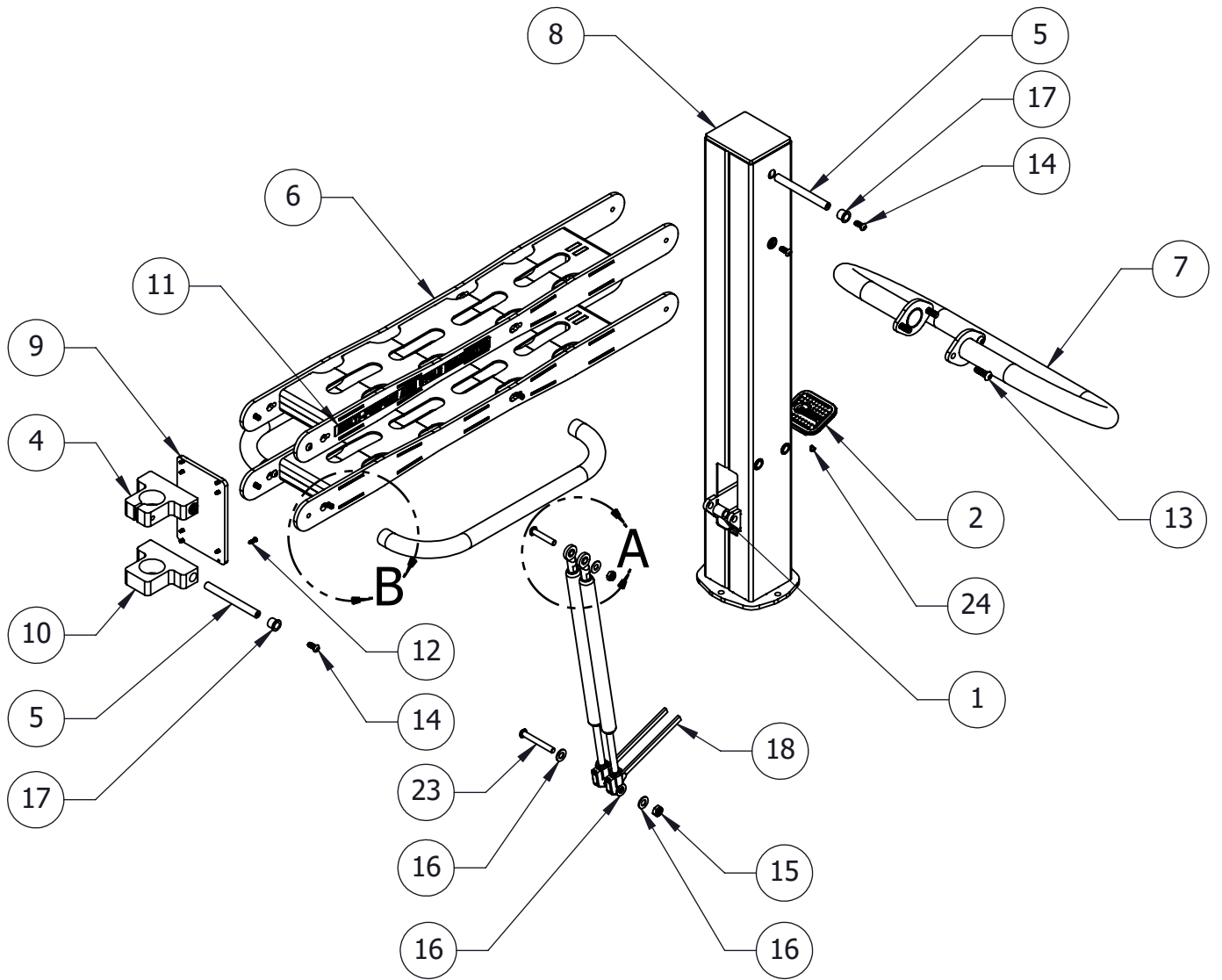


IT.	QTY.	P/NO	DESCRIPTION
1	1	92431	FRAME WELDMENT-BASE, M-PACE
2	2	92409	CHANL-FRAME, WHEEL BASE
3	2	87510	BRAKE ASSEMBLY-FOOT
4	4	87507	CASTER WHEEL-SWIVEL, 3" DIA
5	16	87495	BOLT-SS CAR, 5/16-18 UNC X .625
6	16	87494	SCREW-BTN HEX HD, 5/16-18 UNC X 1.00
7	8	87493	WASHER-SPLIT LOCK, 5/16
8	32	87192	WASHER-FLAT SS, 5/16
9	16	87006	NUT-NYLOCK JAM SS, 5/16-18 UNC

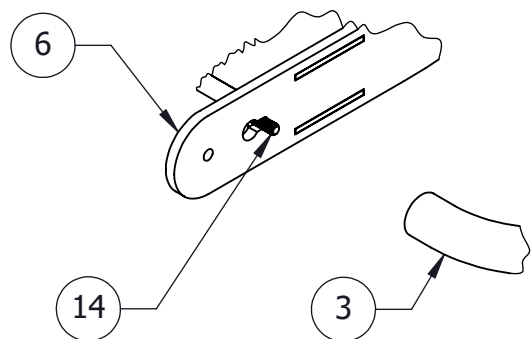


IT.	QTY.	P/NO	DESCRIPTION
1	1	87532	COMPUTER-DISPLAY, TABLET
2	1	87479	MOUNT-DISPLAY, COMPUTER

IT.	QTY.	P/NO	DESCRIPTION
1	1	92507	BUSHING-DELTRIN, .625 OD X .375 ID X .75
2	1	92499	PEDAL-RELEASE, SHOCK
3	2	92482	HANDLE WELDMENT-LIFT, SIDE
4	1	92481	MOUNT-DISPLAY, TOP
5	4	92480	SHAFT-LINKAGE, PIVOT
6	2	92479	LINKAGE WLDT-ARM, UPPER
7	1	92473	HANDLE WLDT-REAR, TOP
8	1	92433	TUBE WELDMENT-UPPER
9	1	92430	PLATE-BLOCK, SPINDLE CLAMP
10	1	92429	MOUNT-DISPLAY
11	2	88002	DECAL-ARM, LIFT
12	8	87515	SCREW-TORX BTN SS, #6-32 UNCX.500
13	4	87494	SCREW-BTN HEX HD, 5/16-18 UNC X 1.00
14	12	87492	SCREW-SS BTN HD HEX, 1/4-20 UNC X .625
15	1	87490	NUT-SS NYLOCK JAM, 3/8-16 UNC
16	4	87489	WASHER-NYLON, .75 OD X .39 ID BLK
17	8	87488	BEARING-FLG SLEEVE, 7/16" ID X 1/2" LG
18	2	87487	SPRING-LOCK GAS, 150mm STROKE X490N
19	1	87486	NUT-SS NYLOCK JAM, 5/16-18 UNC
21	1	87475	SCREW-SS BTN HD HEX, 5/16-18 UNC X 1.75
22	1	87474	WASHER-FLAT SS, 5/16 ID X 3/4 OD
23	1	87473	SCREW-SS BTN HD HEX, 5/16-18 UNC X 2.50
24	4	87472	SCREW-SS BTN HD HEX, #8-32 UNC X 1/4

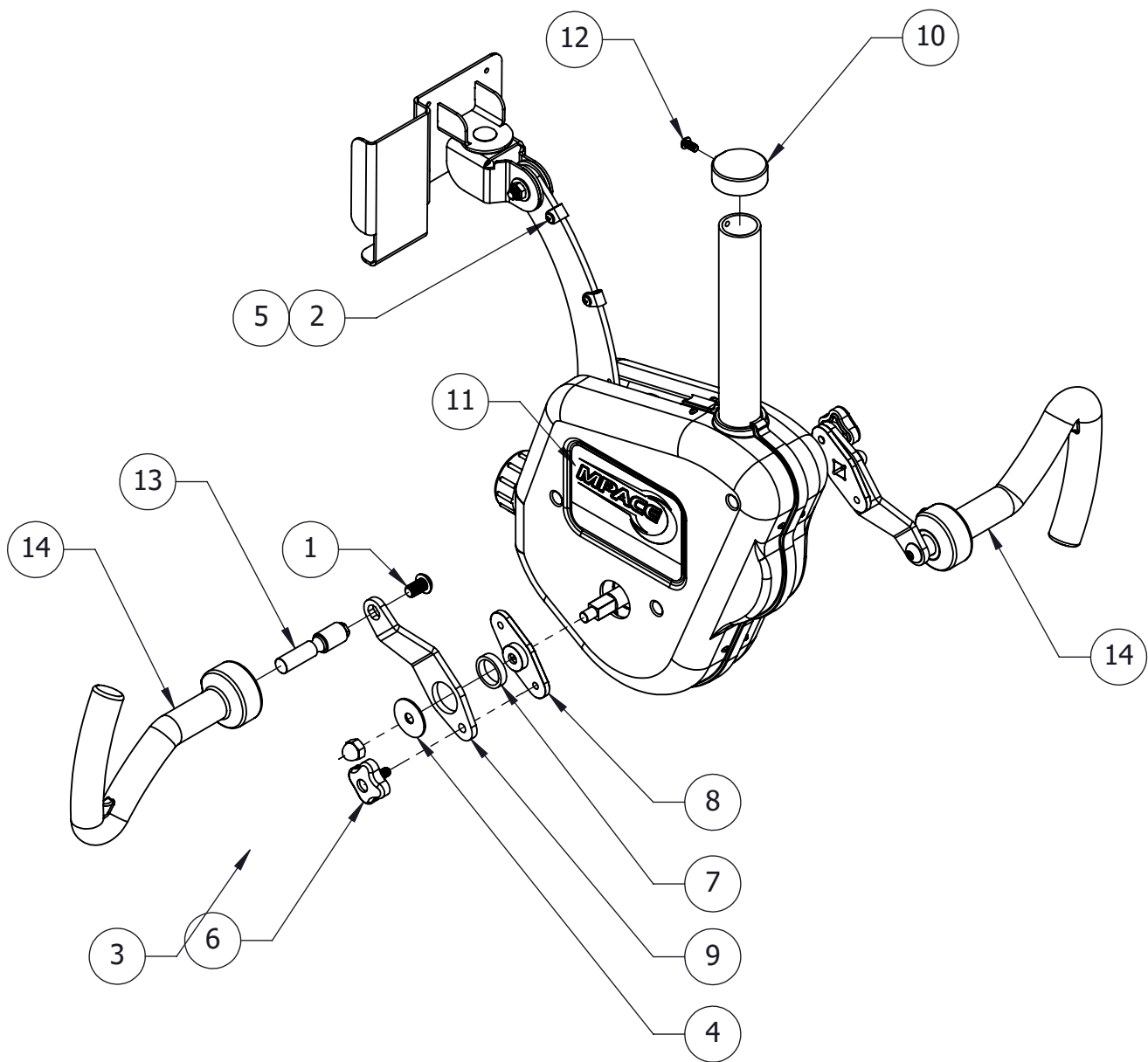


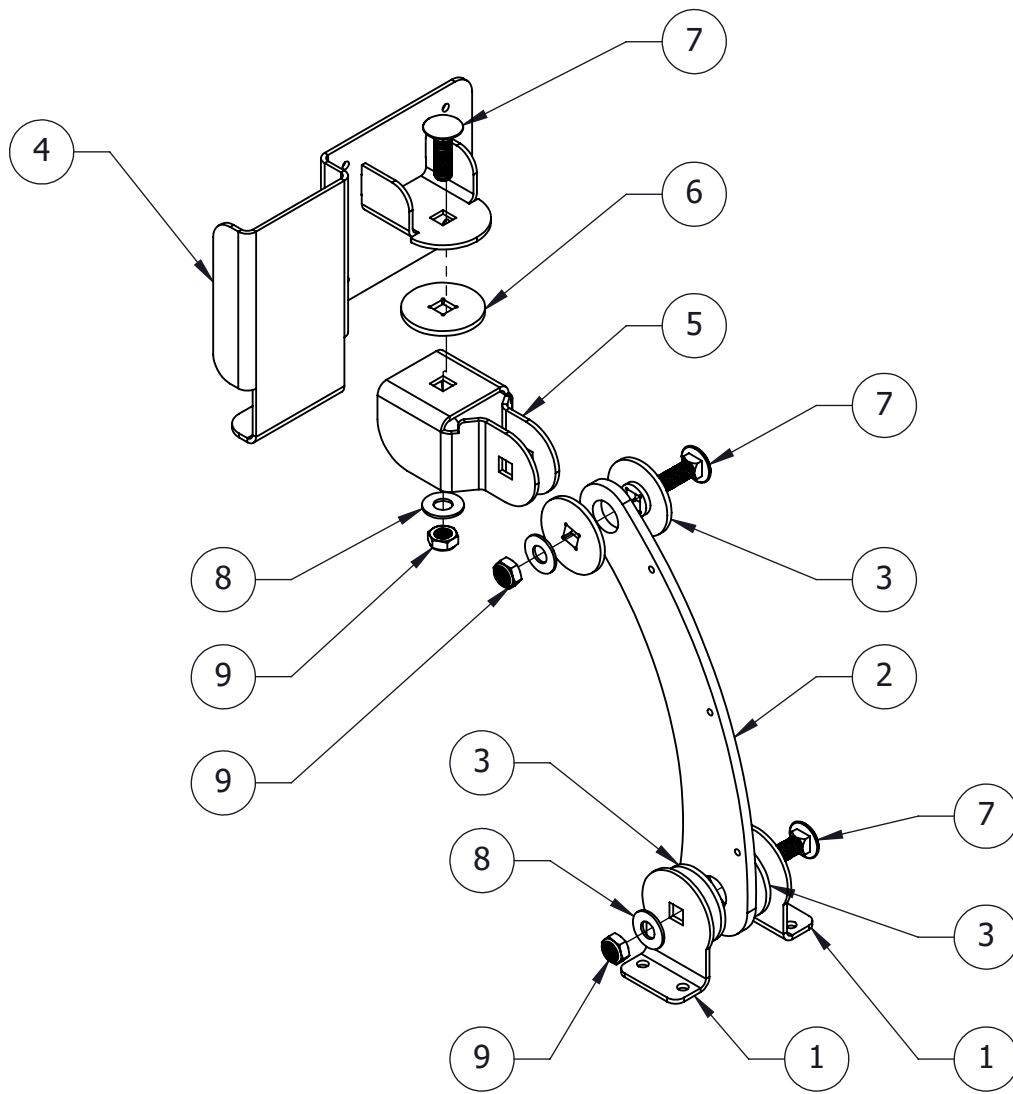
DETAIL A



DETAIL B

IT.	QTY.	P/NO	DESCRIPTION
1	2	87471	SCREW-SS BTN HD HEX, 7/16-14 UNCX3/4"
2	2	87468	SCREW-SS PHIL PAN HD, #10-24 UNCX1/4
3	2	87438	NUT-ACORN SS, M10X1.5
4	2	87437	WASHER-FLAT SS. 1.500 OD X .406 ID
5	2	87115	CLAMP-WIRE, 1/4 ID
6	2	40300	KNOB-RUBBER, 5/16-18 UNC X 1/2"
7	2	92502	BUSHING-DELFIN,1.250ODX1.005IDX.280
8	2	92501	PLATE-BASE, HANDLE
9	2	92500	PLATE-ARM, CRANK
10	1	92439	COLLAR-ALUM, HANGER
11	1	92406	POWER UNIT ASSEMBLY-SUNNY
12	1	87525	SCREW-TORX BTN SS, 1/4-20 UNCX.500
13	2	87523	SHAFT-HANDLE, M-PACE
14	2	87520	HANDLE-BLACK, M-PACE





IT.	QTY.	P/NO	DESCRIPTION
1	2	92489	MOUNT-BASE, DISPLAY
2	1	92490	PLATE-ARM, DISPLAY
3	4	92491	WASHER-DELRIN, PIVOT
4	1	92486	MOUNT WELDMENT-DISPLAY/BATTERY
5	1	92492	MOUNT-SWIVEL, TOP
6	1	92493	WASHER-DELRIN, BLK
7	3	87484	BOLT-SS CAR. 5/16-18 UNC X 1.25
8	3	87483	WASHER-SS FLAT, 3/8"
9	3	87490	NUT-SS NYLOCK JAM, 3/8-16 UNC